

SPECIFICATIONS

FBBI Connector

Mechanical

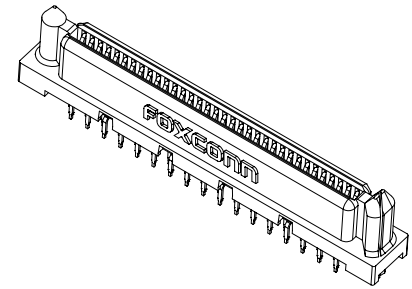
Contact retention Force: 0.454Kg min.
Mating Force: 90g max. Per Contact Pair
Unmating Force: 15g min. Per Contact Pair
Durability: 500 Cycles

Electrical

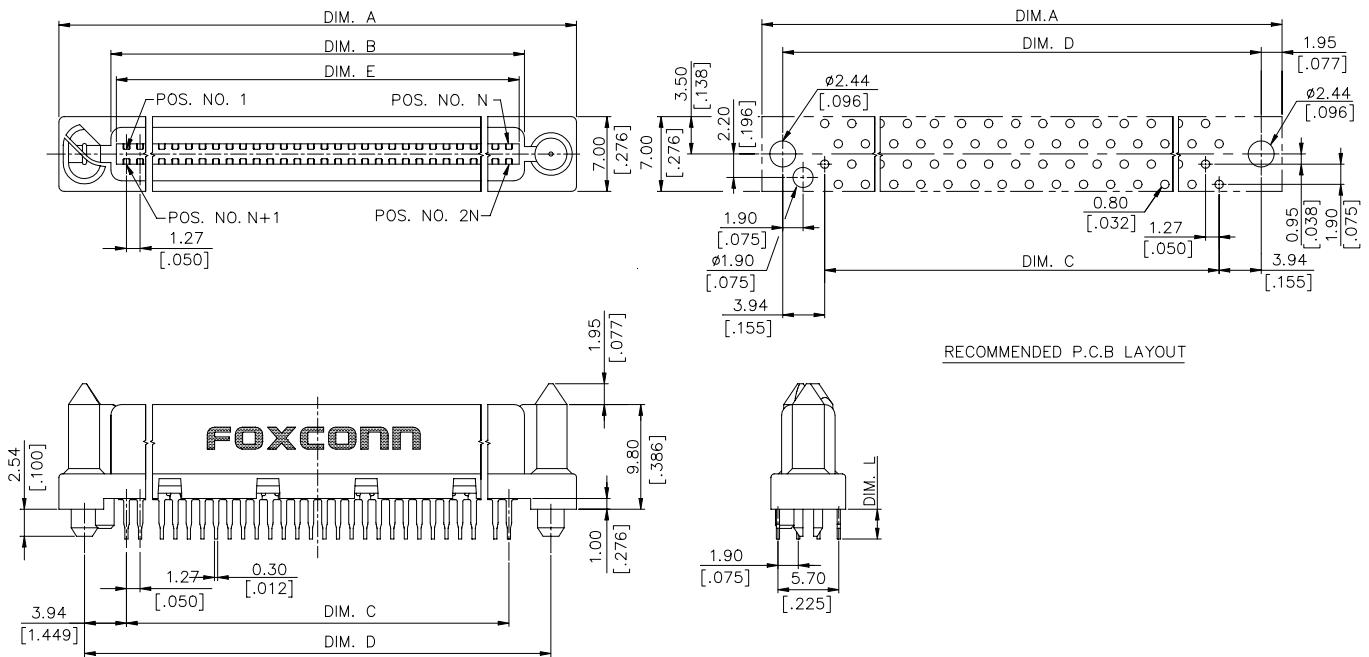
Voltage Rating: 30V
Current Rating: 1.0A
Contact Resistance: 30mΩ max.
Dielectric Withstanding Voltage: 500V AC
Insulation Resistance: 1000MΩ

Physical

Housing: Thermoplastic, UL 94V-0 rated in Black Color
Contact: Phosphor Bronze
Plating: See "ORDERING INFORMATION"
Operating Temperature: -40°C to +105°C



DRAWING



ORDERING INFORMATION

PRODUCT NO.: LZ 25 ** 3 - D * 4

FBBI ———— Termination Side
 RECEPTACLE ———— 4=4 Rows
 No. of Pos. ———— Tail Length:
 30=60 Pos. ———— 1: DIM. L=1.78 mm
 34=68 Pos. ———— 2: DIM. L=2.80 mm
 40=80 Pos. ———— 6: DIM. L=3.40 mm
 50=100 Pos. ———— Contact Area Plating
 3=30u" Gold

P/N	POS.	DIM. A	DIM. B	DIM. C	DIM. D	DIM. E
LZ25503-D*4	100	74.90 [2.949]	65.15 [2.565]	62.23 [2.450]	70.10 [2.760]	64.14 [2.515]
LZ25403-D*4	80	62.20 [2.449]	52.45 [2.065]	49.53 [1.950]	57.40 [2.260]	51.44 [2.015]
LZ25343-D*4	68	54.58 [2.149]	44.83 [1.765]	41.91 [1.650]	49.78 [1.960]	43.82 [1.715]
LZ25303-D*4	60	49.50 [1.949]	39.75 [1.565]	36.83 [1.450]	44.70 [1.760]	38.74 [1.515]